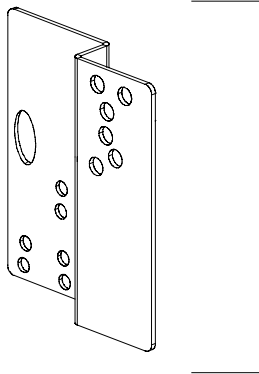


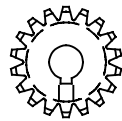
Speed-Reduction Kit for McDonald's Vertical Toaster 826-2025, 826-2026, 826-2027, 826-2032

Replacement Idler Bracket

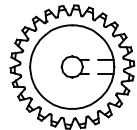


Replacement Drive Sprocket

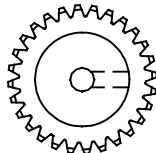
2-second speed reduction, Oriental



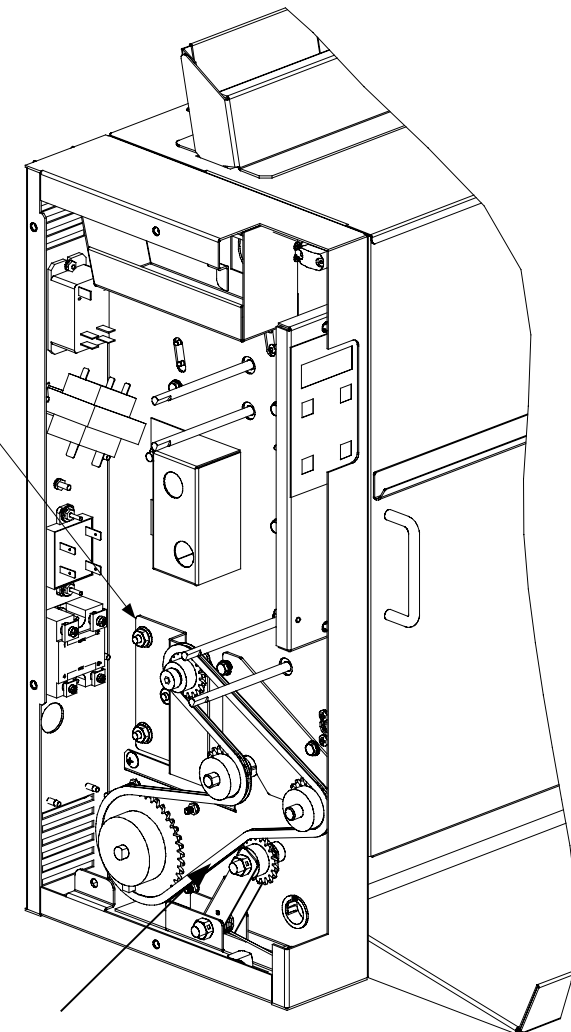
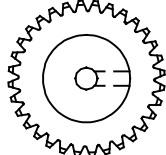
4-second speed reduction, Saia



3-second speed reduction, Saia



2-second speed reduction, Saia



Chain tension: 1/4 to 1/8-inch deflection from center

Figure 1: A new idler bracket and drive sprocket are provided in the kit.

Follow these steps to install kits: 826-2025, which reduces toaster speed by 2 seconds; 826-2026, which reduces toaster speed by 3 seconds; 826-2027, which reduces toaster speed by 4 seconds and 826-2032, which reduces toaster speed by 2 seconds in toasters with Oriental motors.

1. Remove power from unit.

2. Determine the motor and the speed reduction sought for the toaster and choose the appropriate kit. The motor is accessed by removing the bottom of the toaster. A Siai motor has a segmented exterior and is silver. A Oriental motor has a smooth exterior and is blue.

In Kits 826-2025, 826-2026, 826-2027, 826-2032	
810-2812	26-tooth sprocket (4- sec 826-2027 only)
810-2813	28-tooth sprocket (3-sec 826-2026 only)
810-2814	32-tooth sprocket (2-sec 826-2025 only)
810-2825	18-tooth sprocket (2-sec 826-2032 only)
200-7197	Idler bracket
819-6045	Instructions

3. Remove compression knobs on left side and remove the side panel.
4. Remove the drive sprocket, chain and idler bracket.
5. Remove the idler sprocket from the existing idler bracket.
6. Replace the drive sprocket with the replacement suitable for the speed reduction sought. The 26-tooth sprocket reduces the toasting time 4 seconds; the 28-tooth sprocket reduces the time 3 seconds; the 32-tooth sprocket reduces the speed 2 seconds. The 18-tooth sprocket for Oriental motor-equipped toasters reduces the speed 2 seconds.
7. Ensure the drive sprocket is positioned in line with the lower idler sprocket. Use a ruler to position the sprocket if necessary.
8. Drape the chain over the drive sprocket and route it over the roller sprockets. **See figure 1.**
9. Place the chain on the un-mounted idler sprocket and choose the mounting hole which produces the proper chain tension, 1/4 to 1/8-inch from center line. **See figure 1.**
10. Remove the idler bracket and mount the idler sprocket.
11. Place the chain on the idler sprocket and bolt the idler bracket in place.
12. Reassemble the unit and test for accurate chain placement and toasting time.